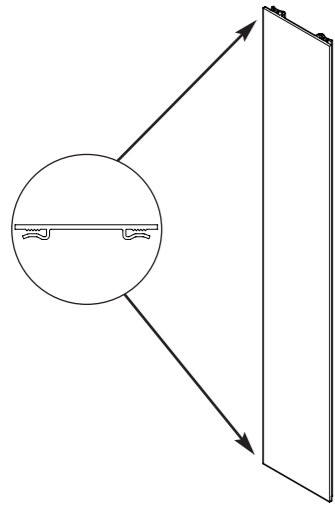


COVER SUNDRIES

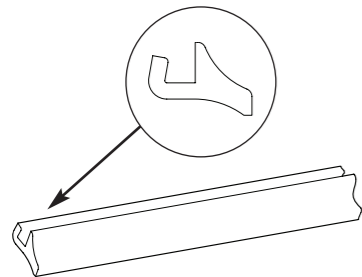
FLOOR DUCT



Extension Strip

Allows either the depth or width of Box Cover Profile to be increased by 50mm or 100mm increments

Code	Description	Pack Quantity
ACE50/2.5	Extension strip 50mm x 2.5 metre	Pack of 1
ACE50/3	Extension strip 50mm x 3.0 metre	Pack of 1
ACE100/2.5	Extension strip 100mm x 2.5 metre	Pack of 1
ACE100/3	Extension strip 100mm x 3.0 metre	Pack of 1



Sealing Strip

Universal sealing strip for use with Boiler Box and all other Cover Profiles.

Code	Description	Pack Quantity
ACSS/1	Sealing strip 1.0 metre	Pack of 1
ACSS/3	Sealing strip 3.0 metre	Pack of 1



T-Clean

A cream cleanser specially formulated to keep Talon uPVC Cover Profiles clean. This easy to use cream cleanser removes marks and stains easily. Can also be used on other uPVC products such as windows etc.

Code	Description	Pack Quantity
T-CLEAN	uPVC Cleaner 500ml	1 bottle or box of 12

Talon floor duct is a high quality uPVC extruded tray section manufactured to BS4576, the material used is self extinguishing and is resistant to acids and alkalis.

The product is suitable for use at temperatures ranging from -10° C to +80° C. A standard 12mm plywood cover is available that complies with BS 1203: 1979.

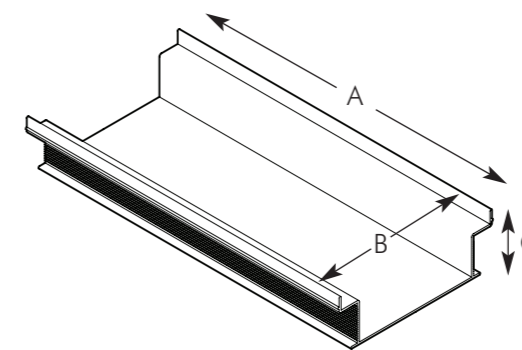
The return flanges of the duct give recessed support to the pre-cut plywood covers when laid flush with the rest of the finished floor. Talon floor duct has been designed to enable it to be fixed to the surface of the sub-floor before screeding.

The removable plywood cover allows easy access to pipework for maintenance purposes etc. A fire resistant barrier will be required where the floor duct passes through building compartments.



Product Code	Description	Pack Quantity
CFT1/3	Floor duct 3.0 metre	Pack of 2

Please note Timber insert available on request.



Dimensions	(mm)
A	3000
B	150
C	50